

Public Safety BDA

Battery Unit (without Charger Module) / IT-1091005

Features

<Battery Cabinet>

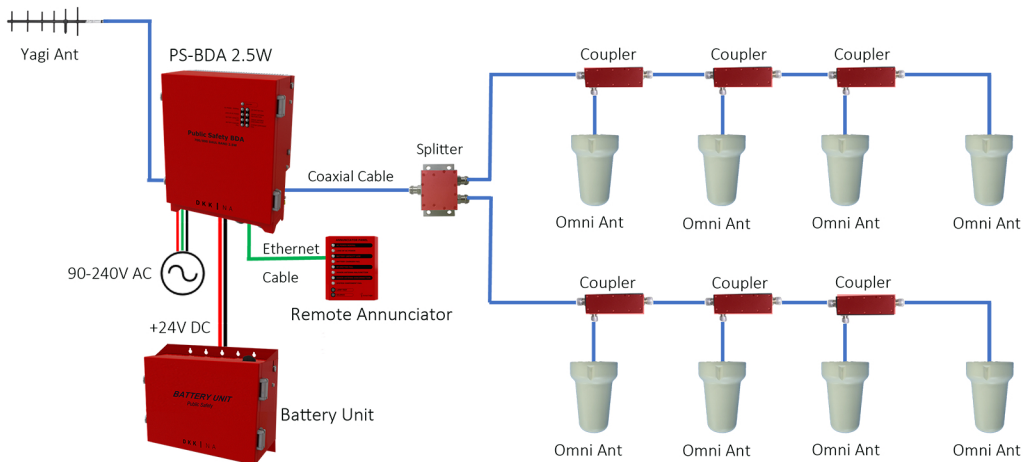
- Compact size battery cabinet designed for PSR
- Up to two 160AH battery mounts
- Up to 24 hours of backup runtime
- Full charge within 48 hours
- NEMA-3R rated enclosure
- Wall mount

<Battery>

- High temperature long life design
- Additives to maintain compression
- Designed to control charging current as temperature increases
- No thermal runaway
- Epoxy sealed terminals to prevent post leaks
- Rugged ABS cases to minimize handling damage



Typical Layout



Product Specification

Battery Cabinet

Parameter	Description
Battery Charge Voltage	+28.8V
Output Voltage	+24V
Back-up Runtime	Up to 24 hours
Cabinet Size (W x H x D)	25.2 x 23.6 x 12.6 in (640 x 600 x 320 mm)
Cabinet Weight (without battery)	≤33lbs (≤15kgs)
Operating Temperature	0 to 50°C
Weather Resistance	NEMA 3R
Mount Type	Wall Mount

Battery (Sealed Lead Acid type)

Voltage	Rated Capacity at 8 Hr	Operating Temperature	Size			Weight
			L	W	H	
12V	100AH	-40 to 65°C	20.0in (508mm)	4.2in (107mm)	9.3in (237mm)	76.9lbs (35kgs)
12V	160AH	-40 to 65°C	21.9in (557mm)	4.9in (125mm)	11.0in (280mm)	116.2lbs (53kgs)